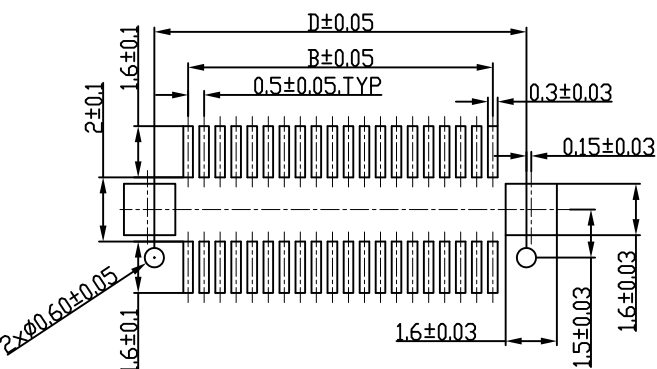
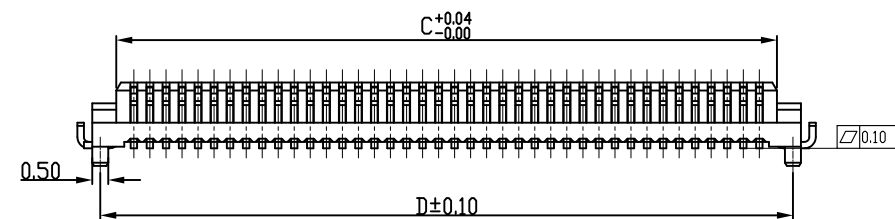
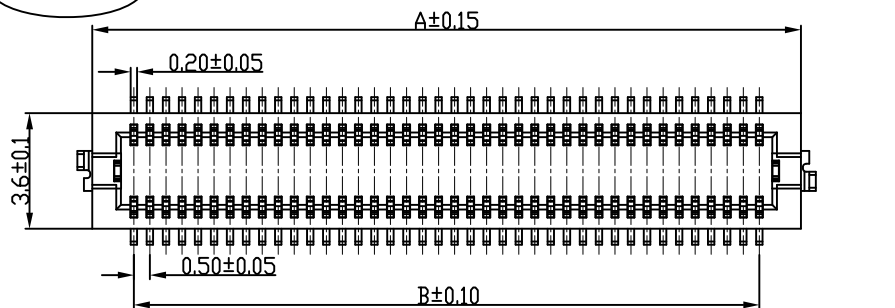


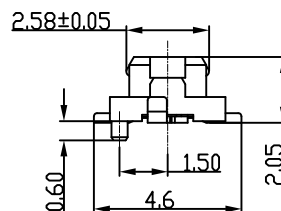
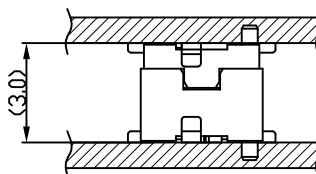
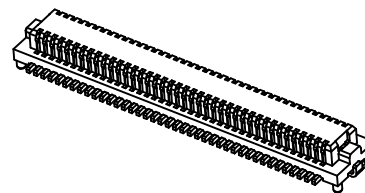
The product using material and processing must conform to the "WI-PZ-001"HSF technical standard control requirements

RoHS+HF



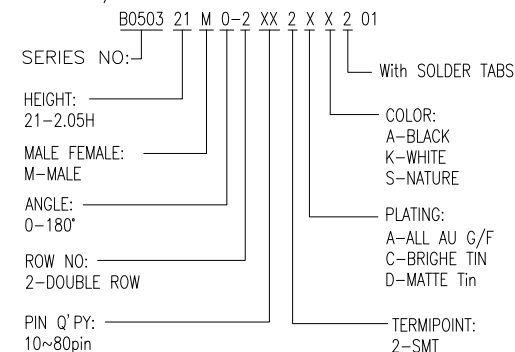
RECOMMENDED PCB LAYOUT(TOP VIEW)

	A	B	C	D
10 PIN	4.60	2.00	3.10	4.10
12 PIN	5.10	2.50	3.60	4.60
14 PIN	5.60	3.00	4.10	5.10
20 PIN	7.10	4.50	5.60	6.60
22 PIN	7.60	5.00	6.10	7.10
24 PIN	8.10	5.50	6.60	7.60
30 PIN	9.60	7.00	8.10	9.10
32 PIN	10.10	7.50	8.60	9.60
36 PIN	11.10	8.50	9.60	10.60
40 PIN	12.10	9.50	10.60	11.60
50 PIN	14.60	12.00	13.10	14.10
60 PIN	17.10	14.50	15.60	16.60
70 PIN	19.60	17.00	18.10	19.10
80 PIN	22.10	19.50	20.60	21.60



NOTE:

- MATERIAL SPECIFICATION:
 - 1-1.HOUSING: LCP,UL94V-0
 - 1-2.CONTACTS: PHOSPHOR BRONZE
 - 1-3.SOLDER TABS: PHOSPHOR BRONZE
- PLATING SPECIFICATION:
 - 2-1.CONTACTS: TIN/GOLD FLASH PLATED OVER ALL.
 - 2-2.SOLDER TABS: TIN/GOLD FLASH PLATED OVER ALL.
- MECHANICAL PERFORMANCE:
 - 3-1.RETENTIVITY FORCE: 0.3KGF/pin min
 - 3-2.DURABILITY: 30 CYCLES.
- ELECTRICAL PERFORMANCE:
 - 4-1.CURRENT RATING: 0.3A
RATED VOLTAGE : 50V AC/DC
 - 4-2.CONTACT RESISTANCE: 50 mΩ MAX
 - 4-3.INSULATION RESISTANCE: 500MΩ Min
 - 4-4.DIELECTRIC WITHSTANDING : 150V
- ENVIRONMENTAL PERFORMANCE:
 - 5-1.OPERATING TEMPERATURE: -40°C~+85°C.
- PACKAGE SPEC: REEL
- P/N:



REV.	REVISION RECORD	DATE
AO	NEW RELEASE	21.11.17

GENERAL TOLERANCES	
LINEAR	ANGLES
0.0±0.35	X'REF±6°
0.00±0.25	X'±3°
0.000±0.10	X'X' ±2°

SCALE:	NAME	DATE
1:1	Wang_jr	21.11.17
APPROVED	Han_Gao	21.11.17
DESIGNER	Zijun_Huang	21.11.17
DRAWN		

PART.NO:	DWG.NO:
B050321M0-2XX2XX201	ENDE05
TITLE: Board to Board Pitch0.5mm DF12 H2.1mm 双排立贴带柱带接地片公座	

REV: AO SHEET: 1/2

The product using material and processing must conform to the "WI-PZ-001"HSF technical standard control requirements

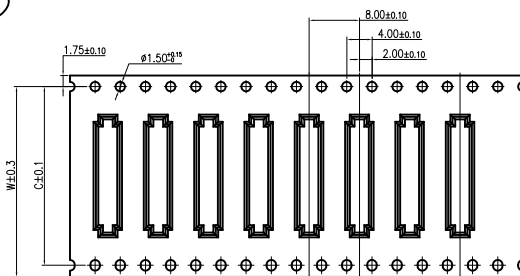
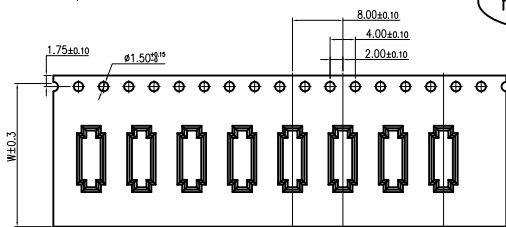
PIN NO.	W	C	PCS /REEL	REEL/CARTON	SUM(PCS)
10PIN~20PIN	16	-	2500	15	37500
30PIN~50PIN	24	-	2500	10	25000
60Pin~80PIN	32	28.4	2500	8	20000

A

Tape width 16 and 24 mm

RoHS+HF

Tape width 32 and 44 mm



B

C

PULL OUT DIRECTION

PULL OUT DIRECTION

NOTE:

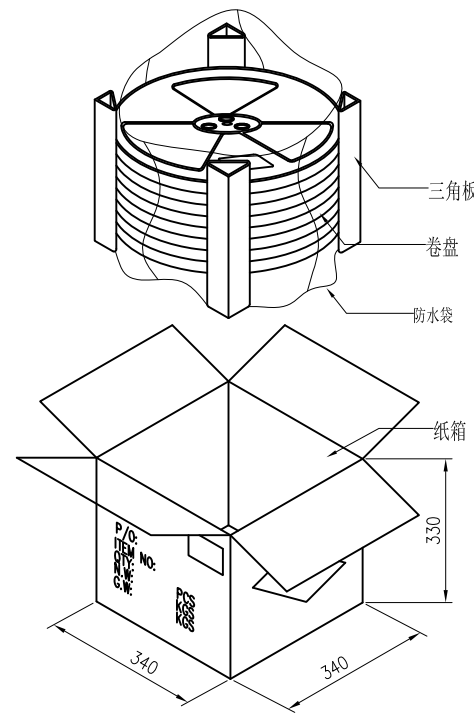
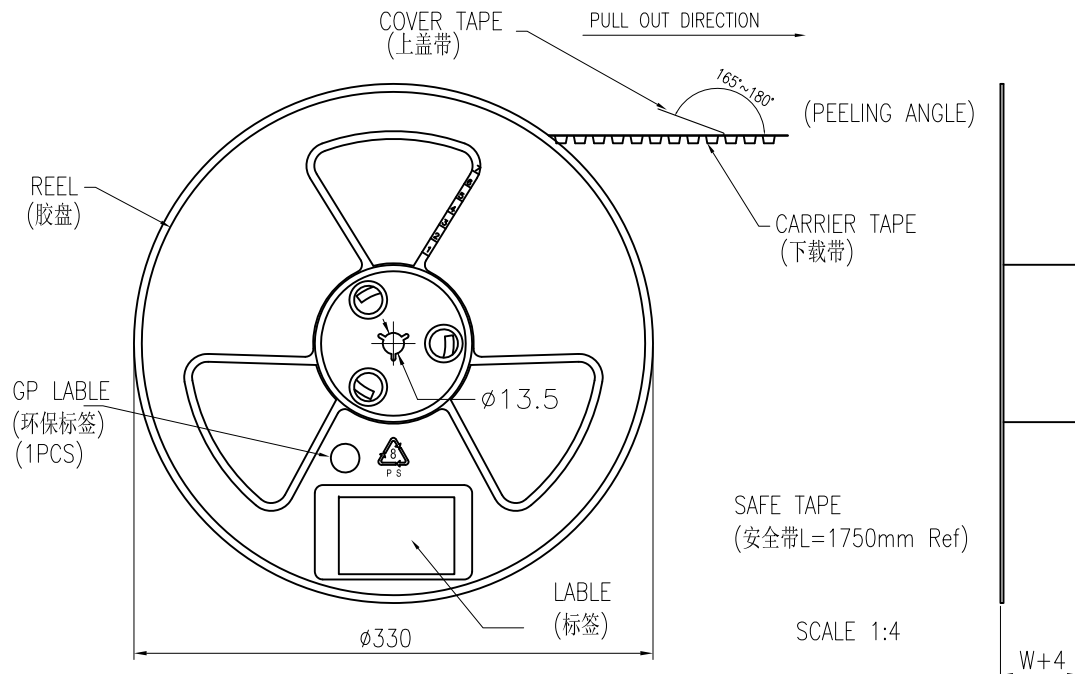
- 1.10 Sprocket hole pitch cumulative tolerance ± 0.20 .
2. Carrier camber is within 1mm in 100mm.
3. Material: black conductive polystyrene alloy.
4. Material Thickness: 0.3 ± 0.05 mm.
5. All dimensions meet EIA-481-B requirements.
6. 1000pcs Pef Reel.
7. For tape width(dim W)16 and 24mm pilot holes are provided on one sides. For tape width(dim W)32, 44 and 56mm pilot holes are provided on both sides.

D

E

F

G



H

REV.	REVISION RECORD	DATE		GENERAL TOLERANCES		SCALE: 1:1	NAME	DATE	PART.NO: B050321M0-2XX2XX201	DWG.NO: ENDE05	
AO	NEW RELEASE	21.11.17		LINEAR	ANGLES	APPROVED	Wang_jr	21.11.17			
			UNIT:mm	0.00 ± 0.25	DESIGNER	Han_Gao	21.11.17	TITLE: 包装规范			
			SIZE: A4	0.000 ± 0.10	DRAWN	Zijun_Huang	21.11.17				REV: A0 SHEET: 2/2